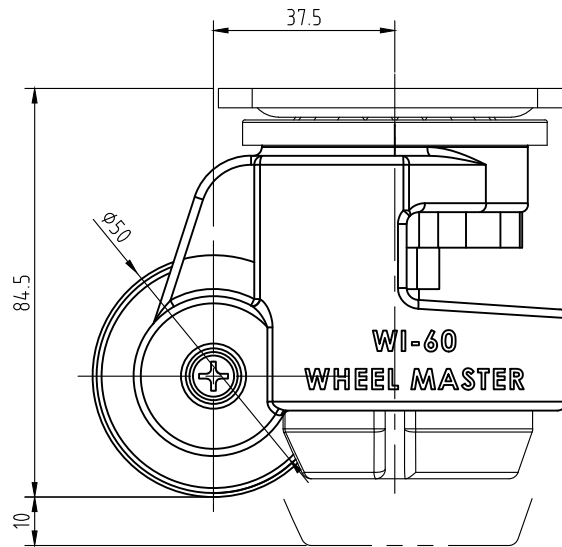


4-φ6.7 HOLE
4-φ8.7 HOLE BY ORDER



No.	PART		MATERIAL	Q'TY		REMARK
SIZE	A3	DESIGNED	CHECKED	APPROVED	DATE	ITEM
UNIT	mm	HJ.Kim		HJ.Kim	22.02.18	WI-60F
SCALE	1 : 1					